



# model VSG

The VSG is a self-closing gate that is an ideal product for use in applications where waist high or optical turnstiles are installed. The gate is suitable for special needs access and also provides a convenient method of facilitating material delivery or large group passage.

The VSG is available in electric locking and non-locking versions. Both versions are available with infill bars or a clear panel infill.

VSG gates open in a single direction and have a heavy duty hydraulic closure that closes the gate smoothly without banging. Electric lock versions integrate with access control systems and can be activated by entry control devices such as a push button installed at a guard or entry desk. Post outlets can be added to either the hinge or latch post to incorporate Alvarado post and railing.

The VSG comes in brushed stainless steel finish.



(VSGX-1 model shown with acrylic panel and with steel infill bars)

## COMMON APPLICATIONS

- Entry/Exit Control
- Wheelchair/Disabled Access
- Stroller Access

## Why Alvarado?

Alvarado is the leading manufacturer of pedestrian gates. Since its founding in 1956, Alvarado equipment has been installed in thousands of locations throughout the world.

Our superior product quality, integration expertise and industry leading service and support are just a few reasons that many of the world's most respected companies use our products again and again.

## KEY FEATURES

## BENEFITS

Wide Opening

The opening is wide enough for wheelchairs, carts, strollers or large parcel deliveries.

Hydraulic Closure

Hydraulic mechanism smoothly self-closes the gate minimizing slamming and extending the life of the gate.

Electromagnetic Lock (Electric Models)

Powerful electromagnetic lock has 600lbs. of holding force.

Fail Safe (Electric Models)

Upon loss of power, the magnetic lock releases allowing pedestrians free passage during emergencies.

Infill Bars or Acrylic Panels

Gates may be ordered with steel bars or acrylic infill panels.

Easy Systems Integration

Gates can be activated by a push button or tied into any access control system.



## AVAILABLE MODELS

VSG-1 (non locking)

VSGX-1 (electromagnetic lock)

## OPTIONS

A number of options are available.

## COMPLEMENTARY PRODUCTS

Our post and rail, as well as our turnstiles are ideal companions to our pedestrian gates. They can fill gaps in your installation, direct pedestrians and provide an integrated appearance.

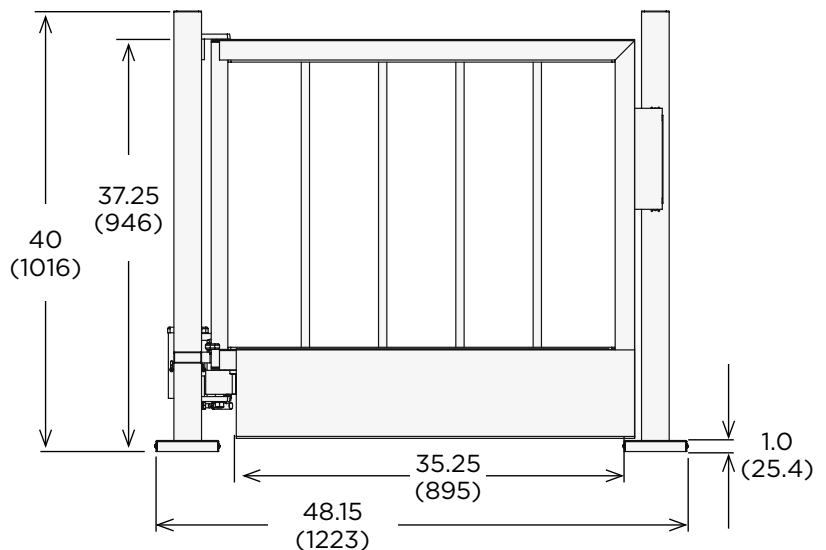


## RESOURCES

Alvarado's knowledgeable staff understands that many customers do not deal with pedestrian gates on a regular basis. We offer assistance and technical expertise to ensure the best solution is selected for your facility.

Additional information, including detailed specifications, installation manuals, CAD drawings and application images can be found online.

## DIMENSIONS



Dimensions shown in inches (mm). All measurements are approximate.