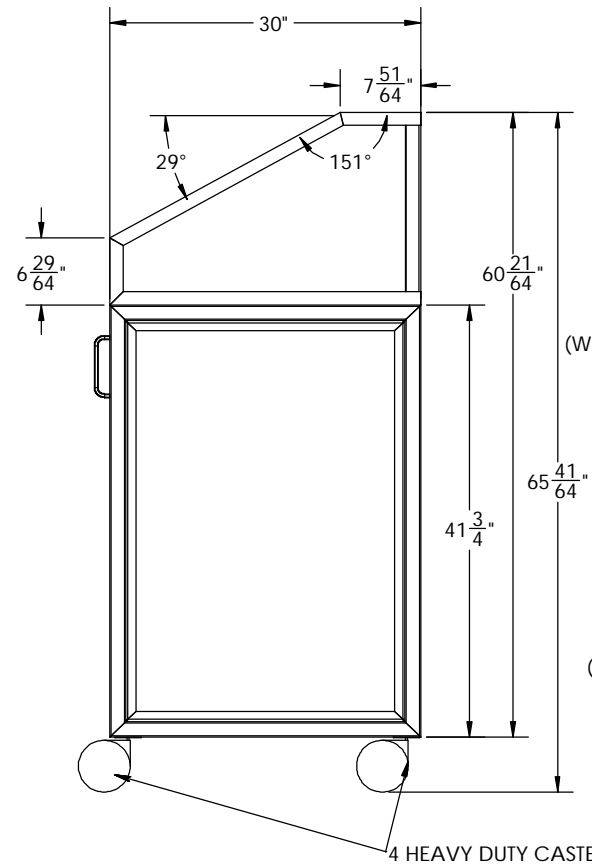


CUTOUT FOR BYRNE MINI-PORT



4 HEAVY DUTY CASTERS

LAMINATED BALLISTIC POLY

LOCKING STORAGE DRAWER

DRAWER FRONT CLAD WITH (WILSONART COLUMBIAN WALNUT - W7943)

SHELVES CLAD WITH (WILSONART COLUMBIAN WALNUT - W7943)

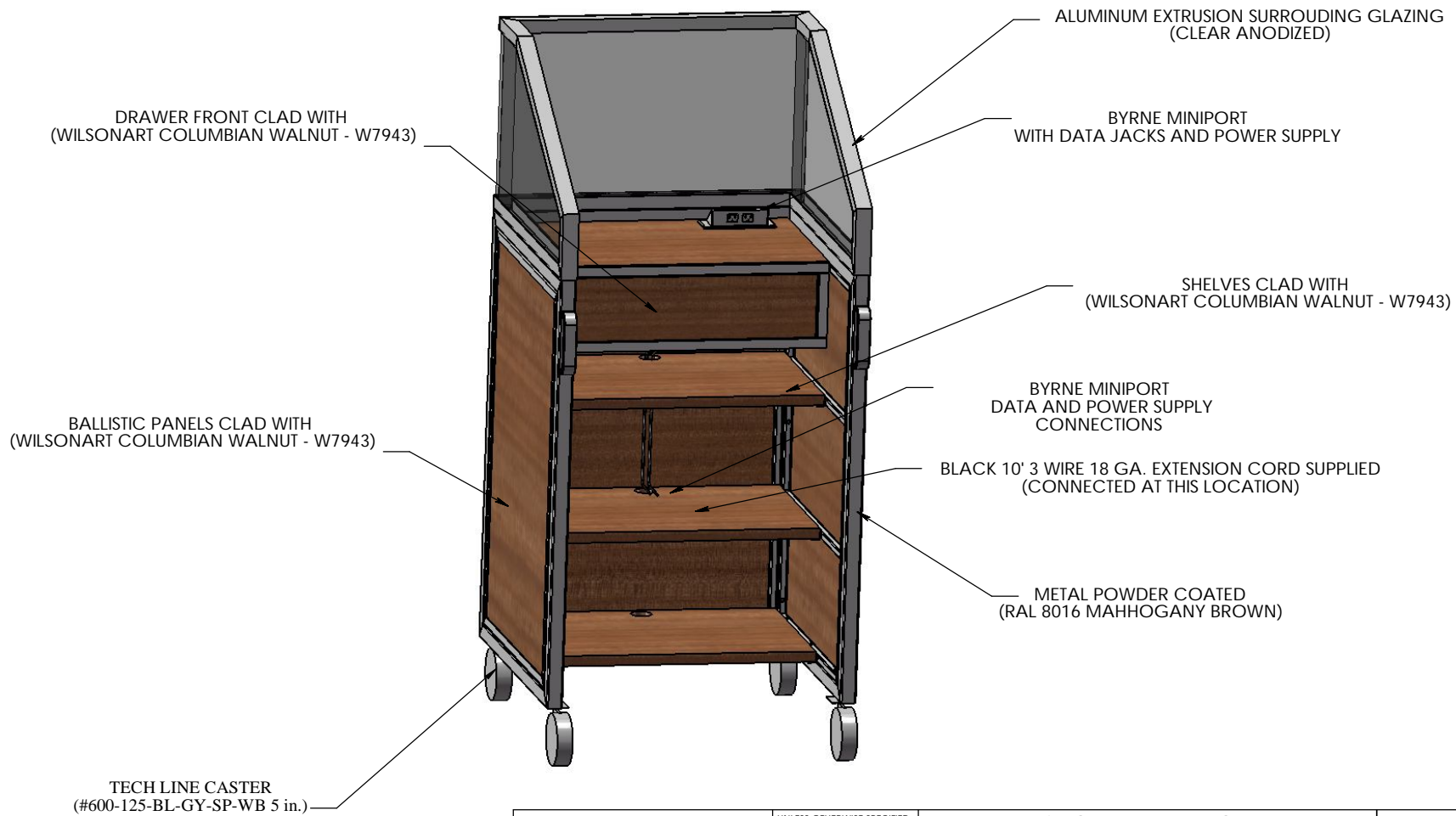
BALLISTIC PANELS CLAD WITH (WILSONART COLUMBIAN WALNUT - W7943)

APPROVED AS DRAWN APPROVED AS NOTED REJECTED
 SIGNATURE: _____ DATE: _____

REVISIONS				UNLESS OTHERWISE SPECIFIED:
ECN	No.	DESCRIPTION	DATE	DIMENSIONS ARE IN INCHES TOLERANCES: FRACTIONAL: ±1/16" ANGULAR: ±1° TWO PLACE DECIMAL: ±0.1 THREE PLACE DECIMAL: ±0.005
				INTERPRET GEOMETRIC TOLERANCING PER: ASME Y14.5
				MATERIAL
				FINISH
				DO NOT SCALE DRAWING

SECURMAR LLC			
833 SHANNON DRIVE CROWN POINT, IN 46307			
TEL: 219-661-8964 FAX: 219-661-8965			
PROJECT NAME:	NAME	DATE	
PROJECT No.	B. LEWIS	6-17-14	
COMMENTS:	CHECKED		

SECURMAR LLC		
TITLE: MOBILE BALLISTIC PODIUM		
SIZE	DWG. NO.	REV
B	SECURMAR PODIUM	
SCALE: 1:12	WEIGHT:	SHEET 2 OF 3



REVISIONS				UNLESS OTHERWISE SPECIFIED:		SECURMAR LLC			SECURMAR LLC		
ECN	No.	DESCRIPTION	DATE	DIMENSIONS ARE IN INCHES		833 SHANNON DRIVE CROWN POINT, IN 46307			TITLE: MOBILE BALLISTIC PODIUM		
				TOLERANCES:		TEL: 219-661-8964 FAX: 219-661-8965					
				FRACTIONAL: ±1/16"		PROJECT NAME:	NAME	DATE			
				ANGULAR: ±1°			B. LEWIS	6-17-14			
				TWO PLACE DECIMAL ±0.1		PROJECT No.	CHECKED				
				THREE PLACE DECIMAL ±0.005		COMMENTS:					
				INTERPRET GEOMETRIC TOLERANCING PER: ASME Y14.5					SIZE	DWG. NO.	REV
				MATERIAL					B	SECURMAR PODIUM	
				FINISH					SCALE: 1:10	WEIGHT:	SHEET 3 OF 3
				DO NOT SCALE DRAWING							